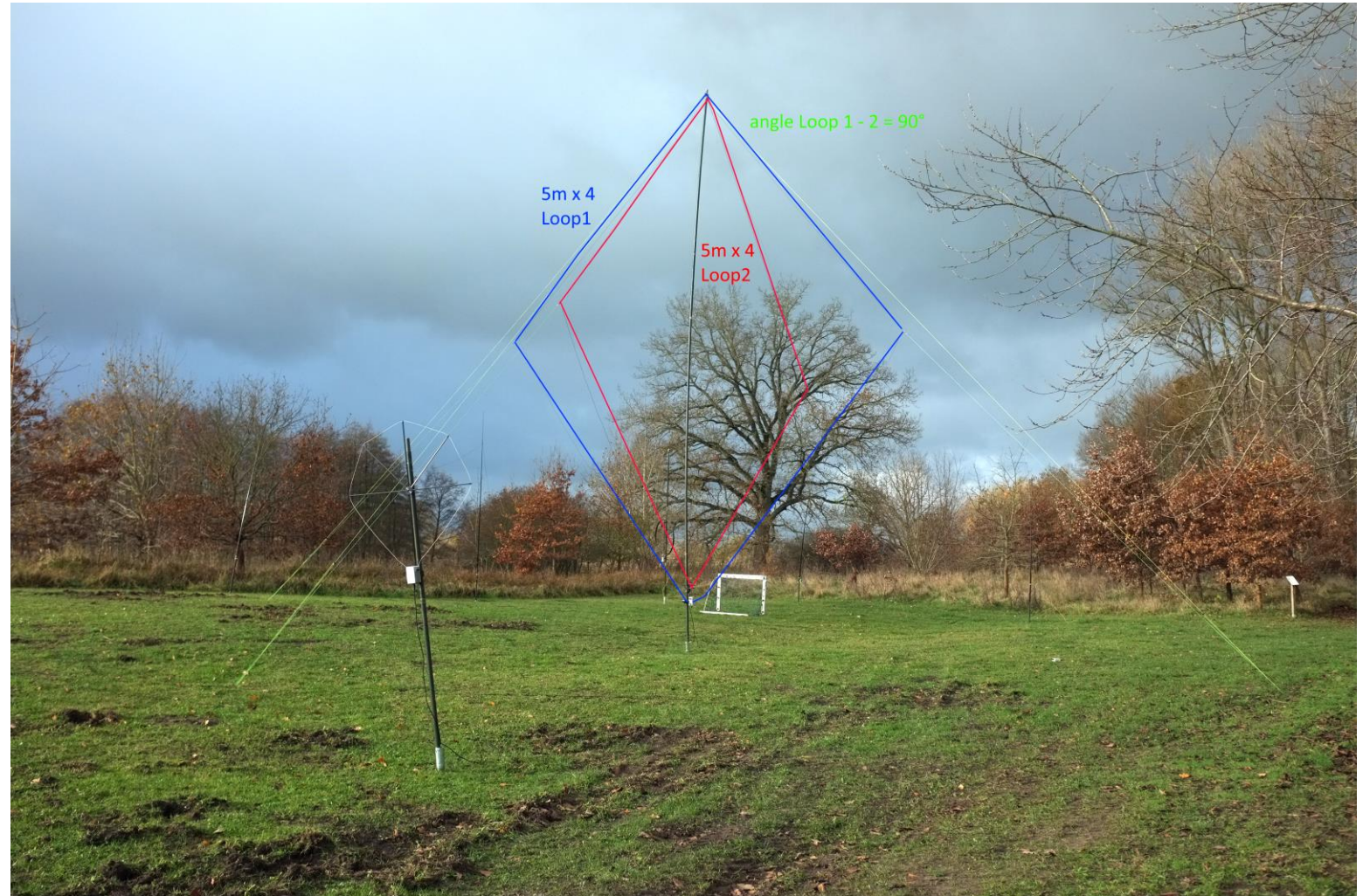


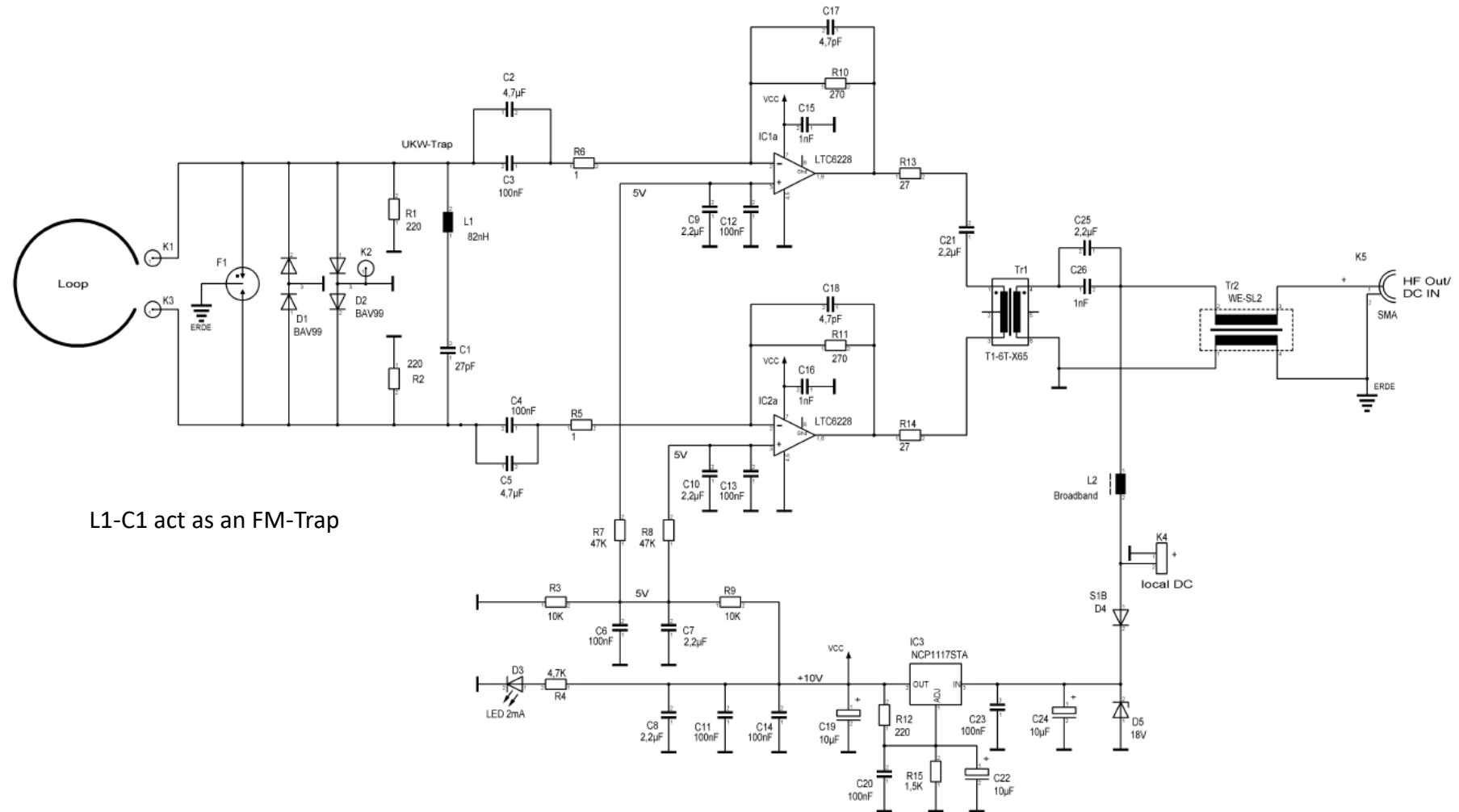
Wide aperture Loop test at DX-Camp, Lankau

Test were performed Nov. 2023 at a DX-Camp in Lankau, a quiet rural location in northern Germany. Two square wire loops on one pole with 5m edge length / 20m circumference each, orthogonal direction.

The JALA Amps are mounted directly under the loop and remotely powered.



JALA wide aperture loop Amplifier



L1-C1 act as an FM-Trap

Ant. Distribution Multicoupler MUX12

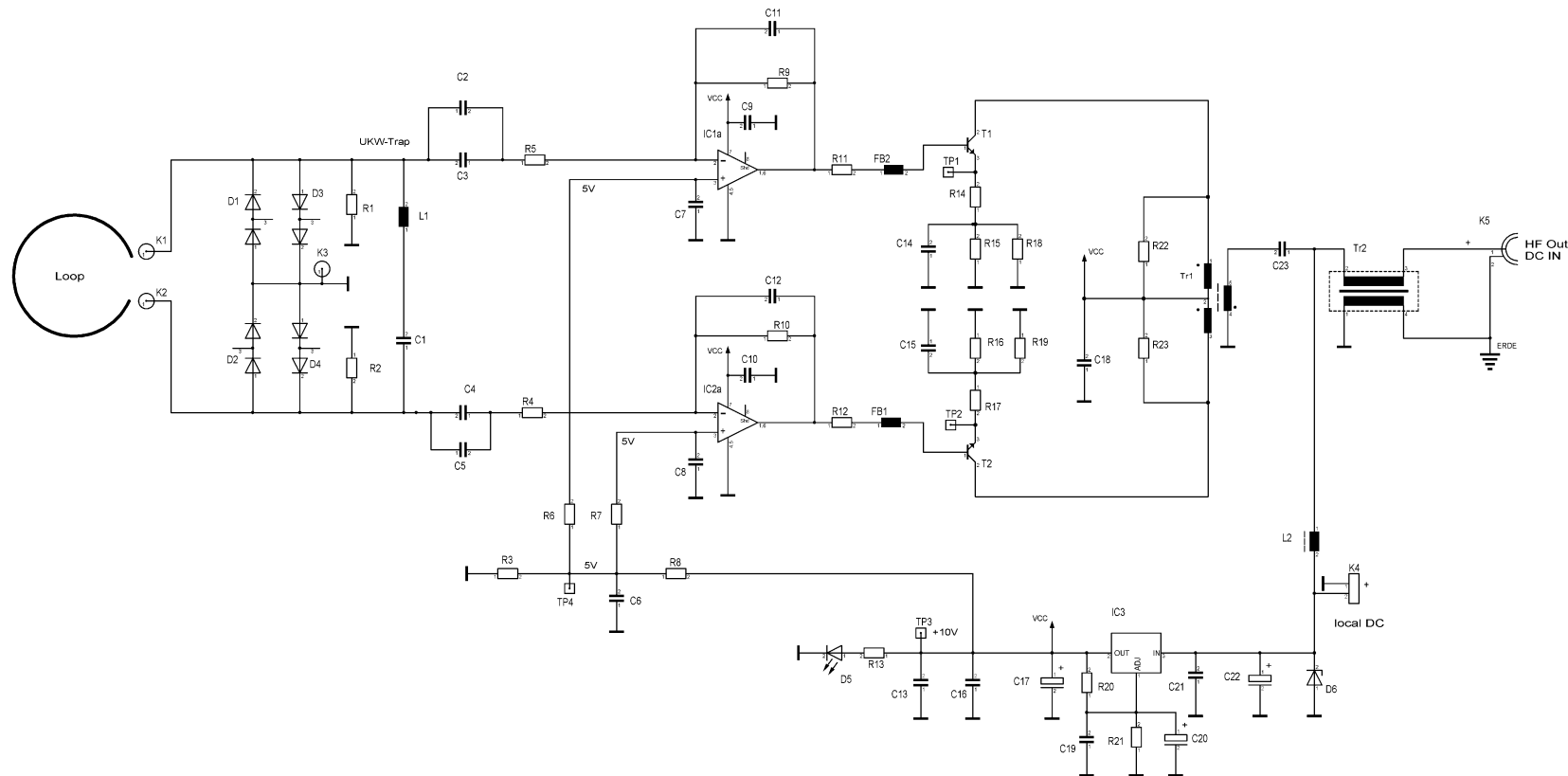


Antenna signal distribution Racks. Each 19 inch rack houses 4 active Antenna Multiplexers /Bias Tee – one antenna Input > 12 user out, and a linear power supply. Multiple antennas are simultaneously available to all users.

Description (pdf, in German only): https://www.dl4zao.de/downloads/MUX-12C_BM.pdf

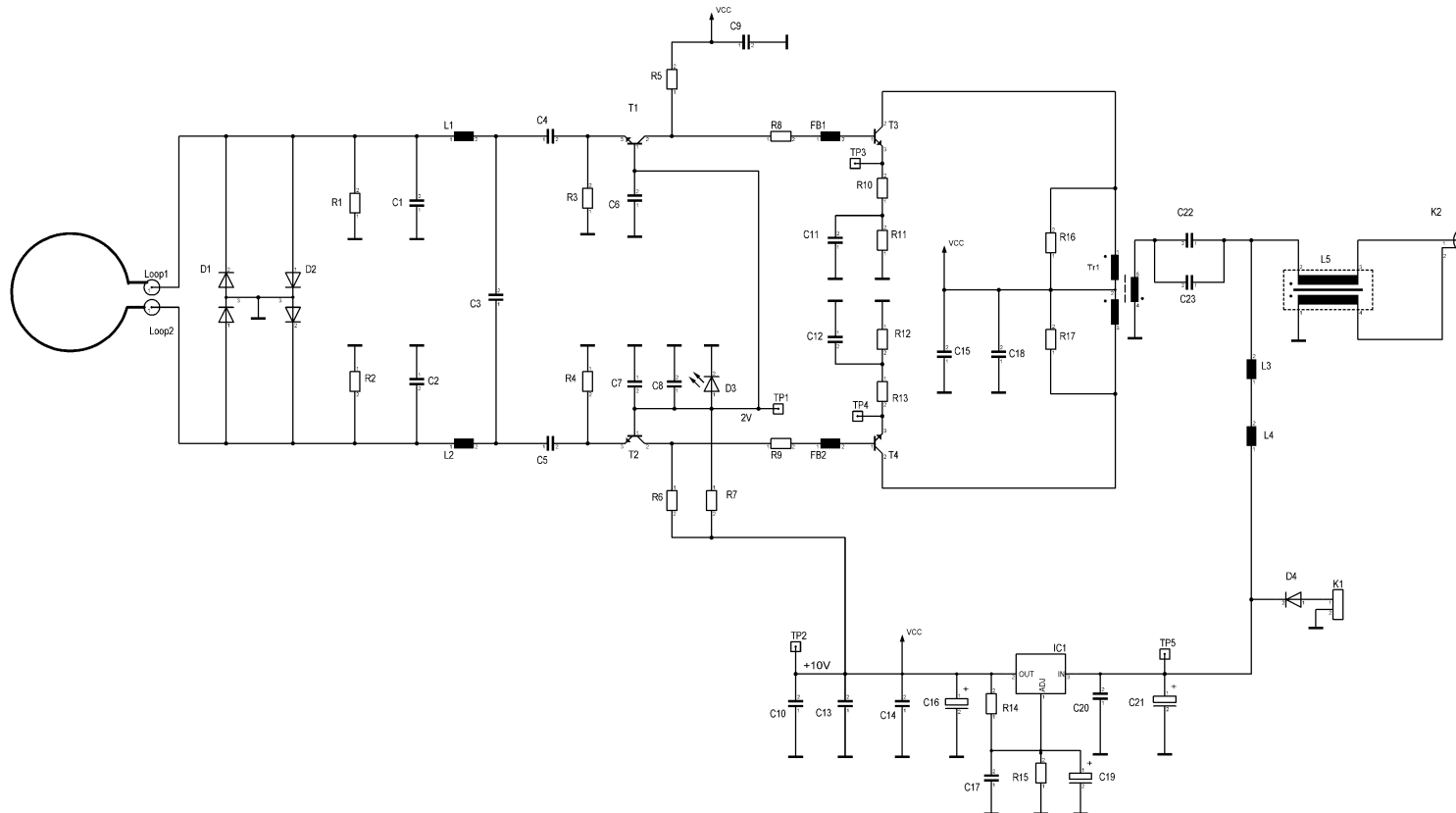
Hybrid variant with discrete P-P Output

For the use with smaller Loops < 1m diameter an additional Push-Pull driver was added. The gain now matches the improved LZ1AQ type Amp used as reference for comparison.

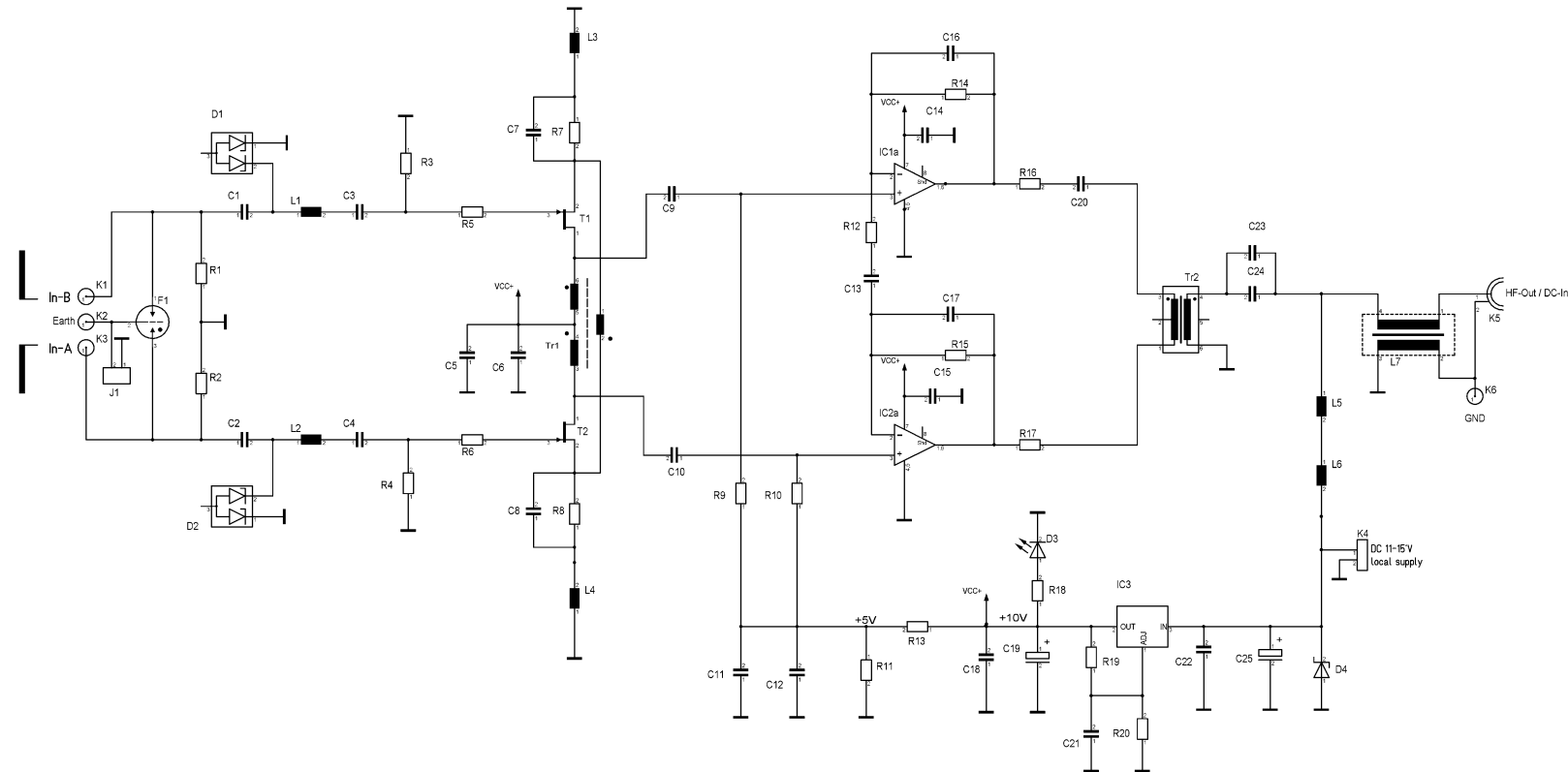


Small loop comparison with LZ1AQ type Amp.

It is planned to perform further tests with an 100 cm diameter loop at the DX camp in February 2024 . Reference for comparison will be my improved LZ1AQ type loop amplifier.



Planned: Active Dipole with Datong type Frontend with noiseless transformer feedback



Small active dipole antenna with OPAMP push-pull driver. High-impedance frontend with noiseless transformer feedback, similar to the good old Datong AD370 active dipole. To be compared against a Bonito MD300DX Megadipole as reference.